



SOLAR GRID PANELS

SU6J-240P is a solid solar module with 60 poly-crystalline solar cells. These modules can be used for on-grid solar applications. Our meticulous design and production techniques ensure a high-yield, long-term performance for every module produced. Our rigorous quality control and in-house testing facilities guarantee Soluzione USA Solar's modules to meet the highest quality standards in the market.

APPLICATIONS

- Solar power stations
- Grid commercial/industrial roof-tops
- Grid residential roof-tops
- Off-Grid systems
- Other solar grid applications

KEY FEATURES

- 5 years product warranty (materials and workmanship)
- 12 years module power output warranty (> 90%)
- 25 years module power output warranty (>80%)
- Industry leading power tolerance: $\pm 3\%$
- Strong framed module, withstanding IEC 5,400 Pa front load test, for snow accumulation
- Reinforced structure, withstanding IEC 2,400 Pa front and rear static load test, for wind stress
- Tested for temperature cycling, 200 cycles, -40°C to $+85^{\circ}\text{C}$
- Tested for hailstone impact with 25 mm hail at 23 m/s from 1m distance

QUALITY CERTIFICATES

- UL 1703
- IEC 61215, IEC 61730, CE
- ISO9001 Standards for quality management systems



Planned Certifications

www.soluzioneusa.com

SU6J-240P Poly Crystalline Solar Module Series (205/210/215/220/225/230/235/240)

Preliminary Data Sheet

TYPICAL ELECTRICAL CHARACTERISTICS

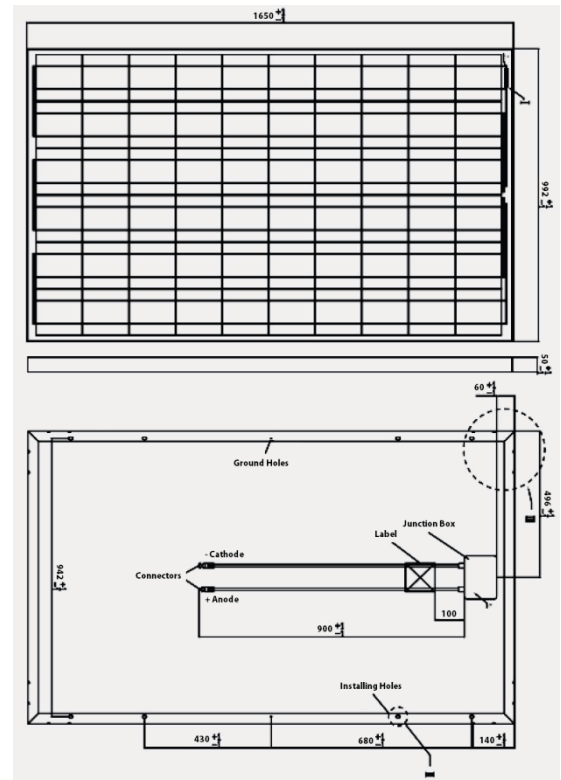
		SU6J-240P							
		205	210	215	220	225	230	235	240
Max Power (Wp)		205	210	215	220	225	230	235	240
Max Power Voltage (V_{MP})		28.5	29.0	29.0	29.5	29.5	30.0	30.0	30.5
Max Power Current (I_{MP})		7.19	7.24	7.41	7.46	7.63	7.67	7.83	8.00
Open Circuit Voltage (V_{OC})		34.2	34.8	34.8	35.4	35.4	36.0	36.0	36.6
Short Circuit Current (I_{SC})		8.05	8.11	8.30	8.36	8.55	8.59	8.77	8.96
Operating Temperature		-40°C to +85°C							
Maximum System Voltage		600 V _{DC} (UL)/1,000 V _{DC} (TUV, VDE)							
Maximum Series Fuse Rating		15 A							
Power Tolerance		±3%							
Temperature Coefficients	P_{MAX}	-0.47%/°C							
	V_{OC}	-0.33%/°C							
	I_{SC}	0.04%/°C							
	NOCT	48°C ± 2°C							

Standard Test Conditions (STC: AM1.5) of irradiance of 1,000W/m², spectrum AM 1.5 and cell temperature of 25°C

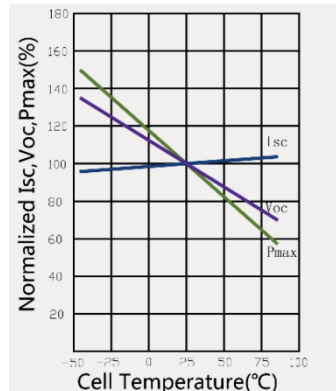
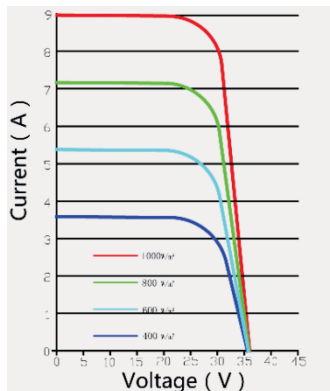
MECHANICAL DATA

Cell Type	156x156 Poly Solar Cell
Cell Arrangement	60 (6 x 10)
Dimensions	1,650 x 992 x 50 mm (65.0 x 39.1 x 1.97 in)
Weight	19.5 Kg (43.0 lbs)
Front Construction	High Transmission 3.2 mm Tempered Glass
Rear Construction	White TPT, EVA Encapsulant
Frame Material	Anodized Aluminum Alloy
Output Cable Length	900 mm (35.43 in)
Number of Diodes	6

ENGINEERING DRAWINGS



I-V CURVES (200)



ABOUT SOLUZIONE USA INC.

Soluzione USA is a fab-less solar product manufacturer. It was founded in 2003 to support Internationalization Projects and Businesses. We select and endorse products that meet the highest, world class quality standards and we combine them with the well known and recognized Soluzione USA business services. We are established in America, Europe and Asia with a team of professionals with over 280 years of cumulated professional experience.



1762 Rose Avenue
 San Marino, CA 91108
 Los Angeles County, USA
 Tel. +1 (650) 766-9419
 Fax +1 (626) 292-5883